



# ELEPHANT

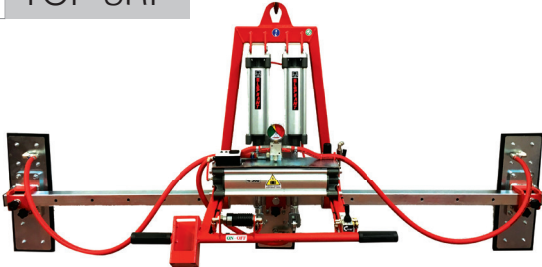
## Lifting and handling devices

### Vacuum lifters for KITCHEN TOPS

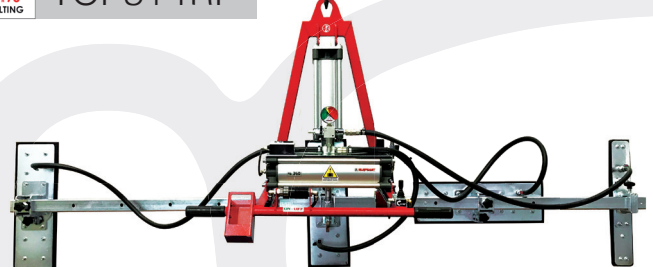
Sollevatori a ventosa per TOP DA CUCINA



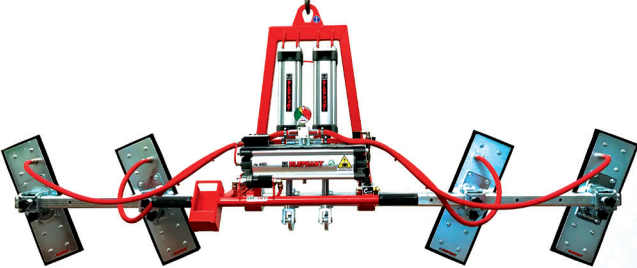
 TOP 3RP



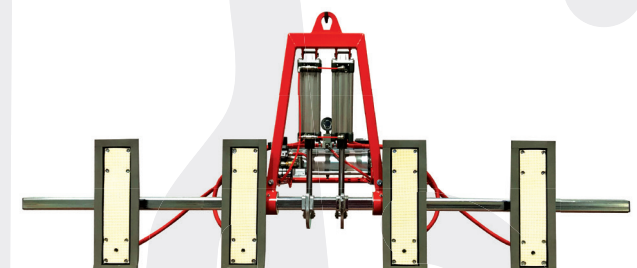
 TOP3+1RP



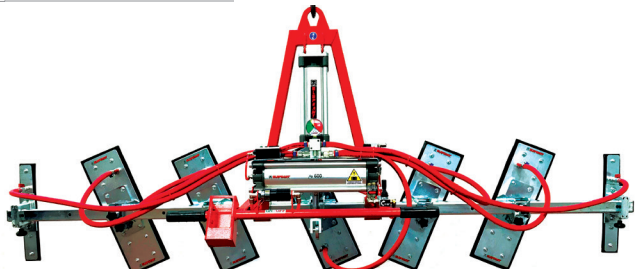
 TOP 4RP



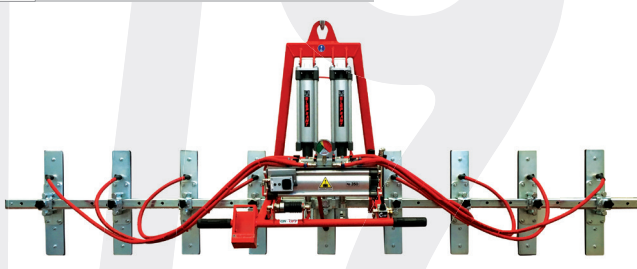
 TOP 4RP STAIN-RESISTANT



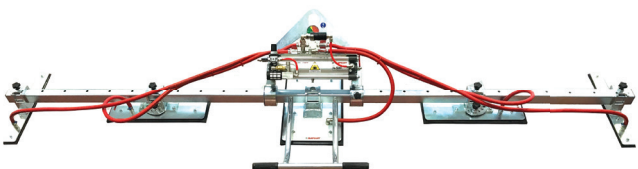
 TOP 5+2RP



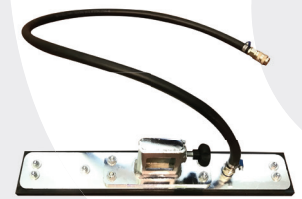
 SPECIAL MODELS



 MANUAL TILTING



 ROTATING SUPPORTS



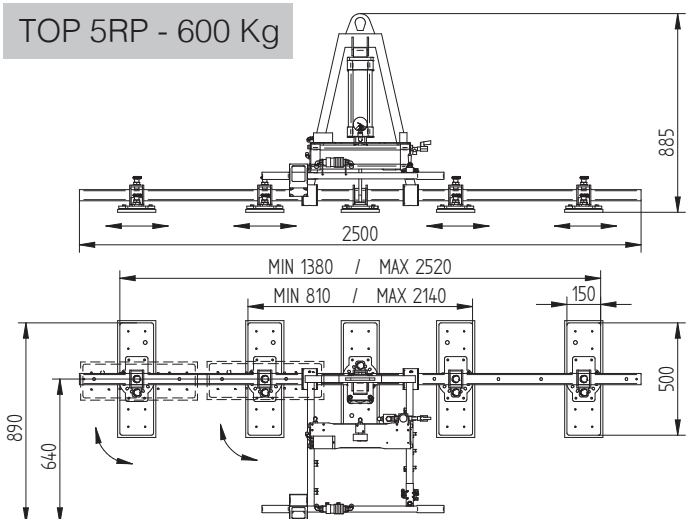
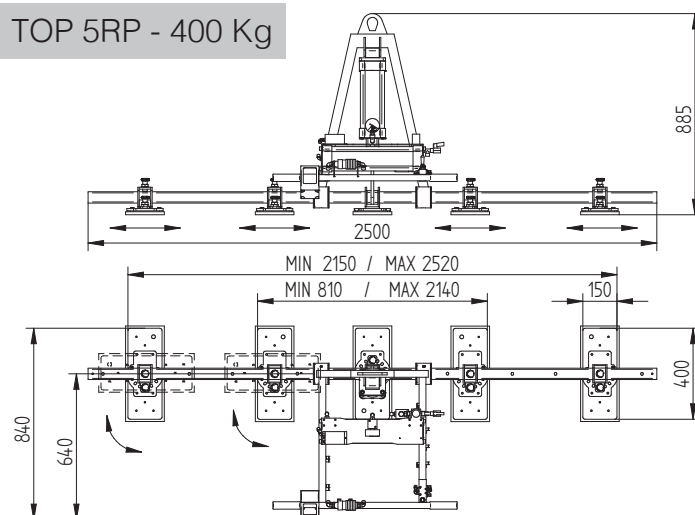
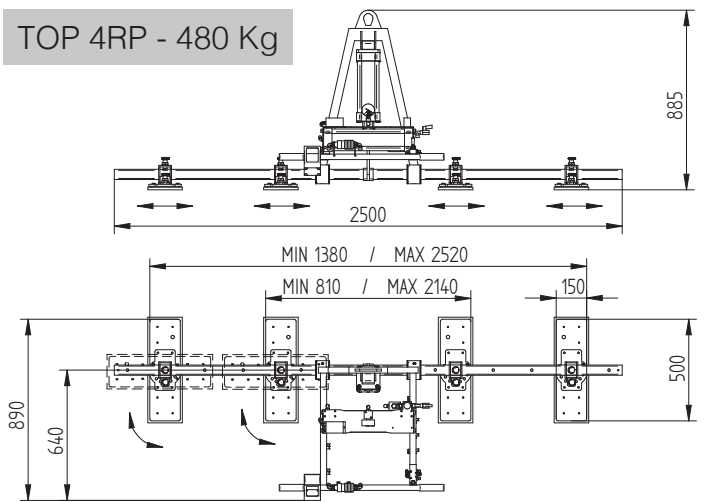
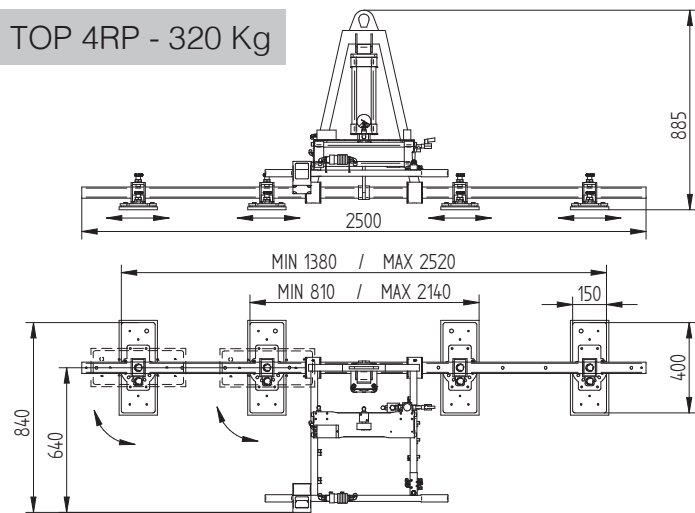
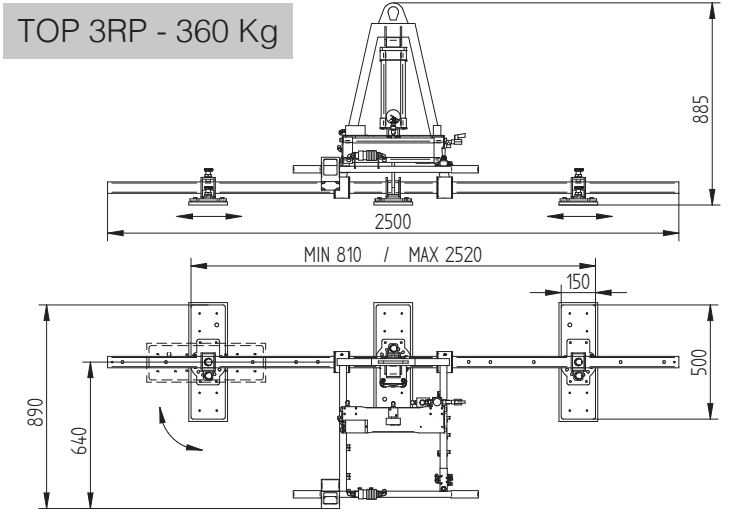
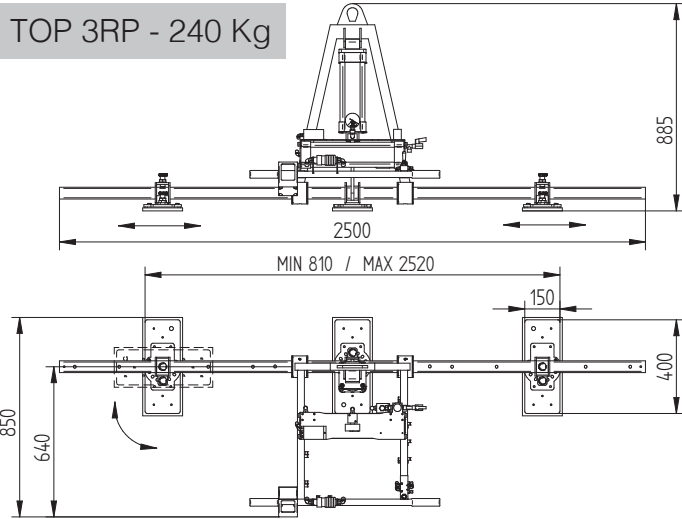
 ADDITIONAL SUCTION CUPS

### OUR RANGE OF PRODUCTS

COLUMN/BRACKET JIB CRANES: channel profiled, tie-rod, articulated, telescopic, cantilever, with palletized basement, 360° manual or electric rotation / BRIDGE CRANES / ELECTRICAL OVERHEAD SYSTEMS / DETACHABLE ALUMINUM GANTRY CRANES / GANTRY CRANES / ELECTRIC CHAIN HOISTS.

### ELEPHANT VACUUM LIFTERS

Powered by compressed air, electric pump and/or batteries / Manual, pneumatic or electric tilting / Aluminum vacuum tank / Acoustic and visual alarm system / Vacuum gauge with coloured scale / On-off sliding valve to grip and release the slab / Adjustable suction cups with excluding valves / Special pads for uneven surfaces.



**ELEPHANT SRL**

Via Piane, 25/A - 47853 Coriano (RN) - ITALY  
 Tel. +39 0541 657285 - Fax +39 0541 657605  
 GPS. 43° 58' 25.21" N - 12° 35' 57.84" E  
 info@elephant.it - [www.elephant.it](http://www.elephant.it)