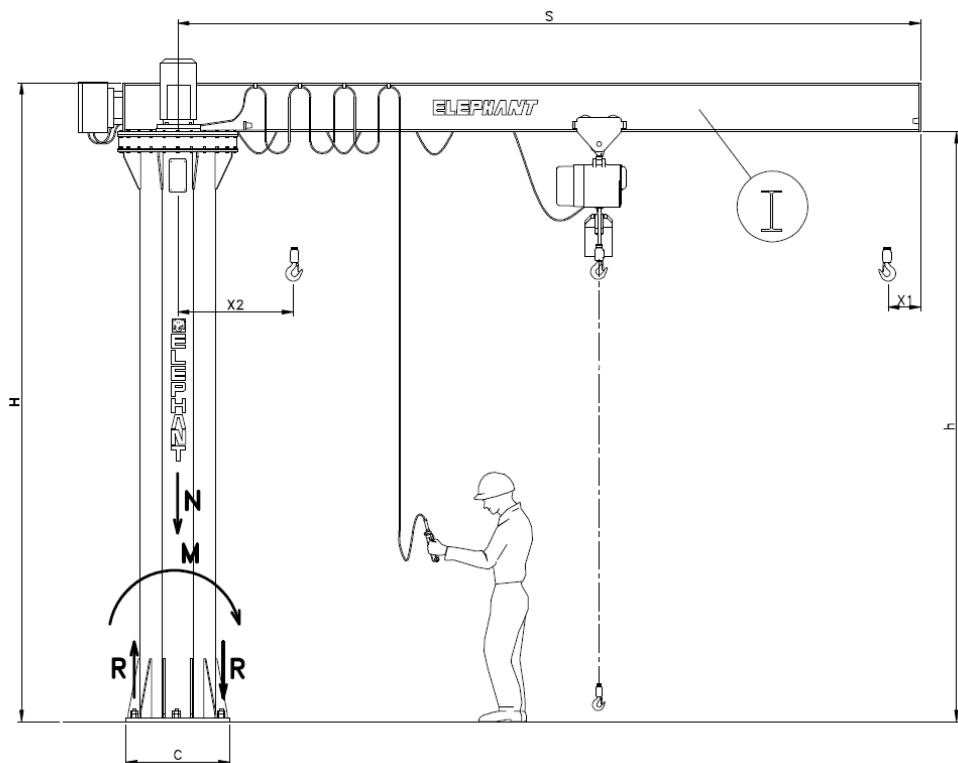
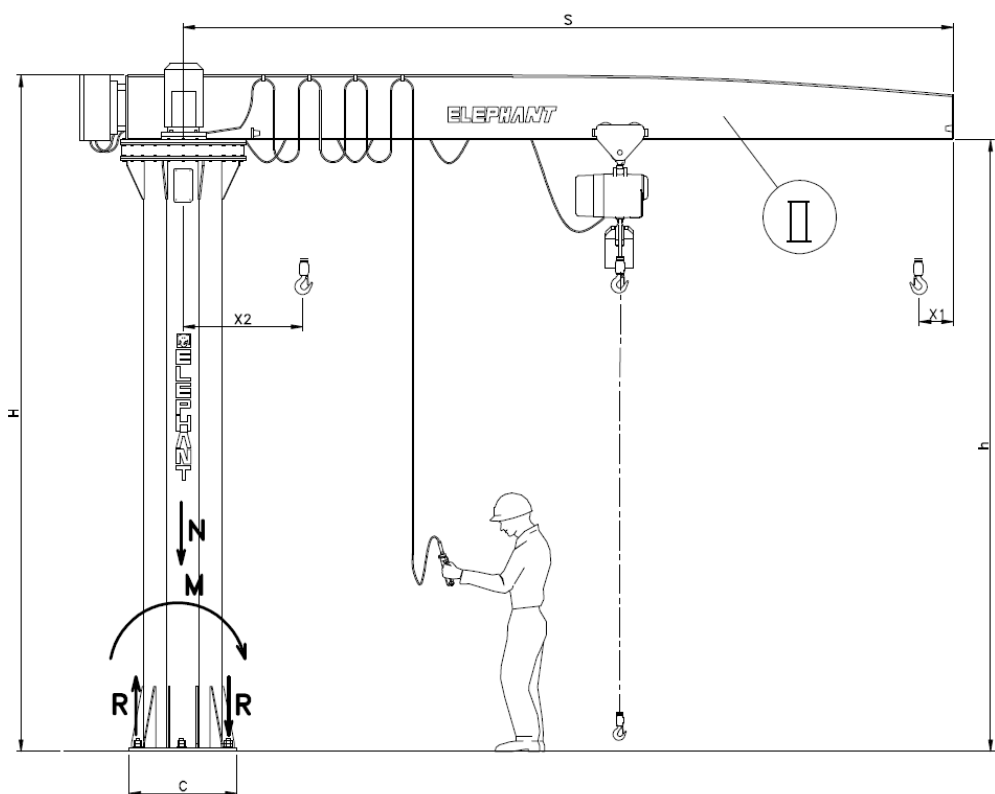


**GRU A COLONNA A ROTAZIONE ELETTRICA 0-360° CON BRACCIO IN PROFILATO IPE**



**GRU A COLONNA A ROTAZIONE ELETTRICA 0-360° CON BRACCIO SCATOLATO**



<b>Modello</b>	<b>Portata</b>	<b>S</b>	<b>H</b>	<b>h</b>
	<b>Kg</b>	<b>m</b>	<b>m</b>	<b>mm</b>
RE-500/5	500	5	4	3700
RE-500/6	500	6	4	3670
RE-500/7	500	7	4	3640
RE-500/8	500	8	4	3600
RE-500/9	500	9	4	3550
RE-1000/4	1000	4	4	3670
RE-1000/5	1000	5	4	3640
RE-1000/6	1000	6	4	3600
RE-1000/7	1000	7	4	3500
RE-1000/8	1000	8	4	3480
RE-1000/9	1000	9	4	3480
RE-1000/10	1000	10	4	3480
RE-2000/4	2000	4	4	3600
RE-2000/5	2000	5	4	3550
RE-2000/6	2000	6	4	3500
RE-2000/7	2000	7	4	3380
RE-2000/8	2000	8	4	3370
RE-2000/9	2000	9	4	3370
RE-2000/10	2000	10	4	3370
RE-3000/4	3000	4	4	3550
RE-3000/5	3000	5	4	3370
RE-3000/6	3000	6	4	3370
RE-3000/7	3000	7	4	3320
RE-3000/8	3000	8	4	3250
RE-3000/9	3000	9	4	3250
RE-3000/10	3000	10	4	3250
RE-5000/4	5000	4	4	3350
RE-5000/5	5000	5	4	3270
RE-5000/6	5000	6	4	3220
RE-5000/7	5000	7	4	3150
RE-5000/8	5000	8	4	3150
RE-5000/9	5000	9	4	3150
RE-5000/10	5000	10	4	3150

A richiesta:

- Fine corsa elettrici per limitazione campo di rotazione a meno di 360°
- Radiocomando
- Verniciatura da esterno
- Verniciatura da clima marino
- Tettoia per la protezione del paranco